



Baton Rouge Amateur Radio Club

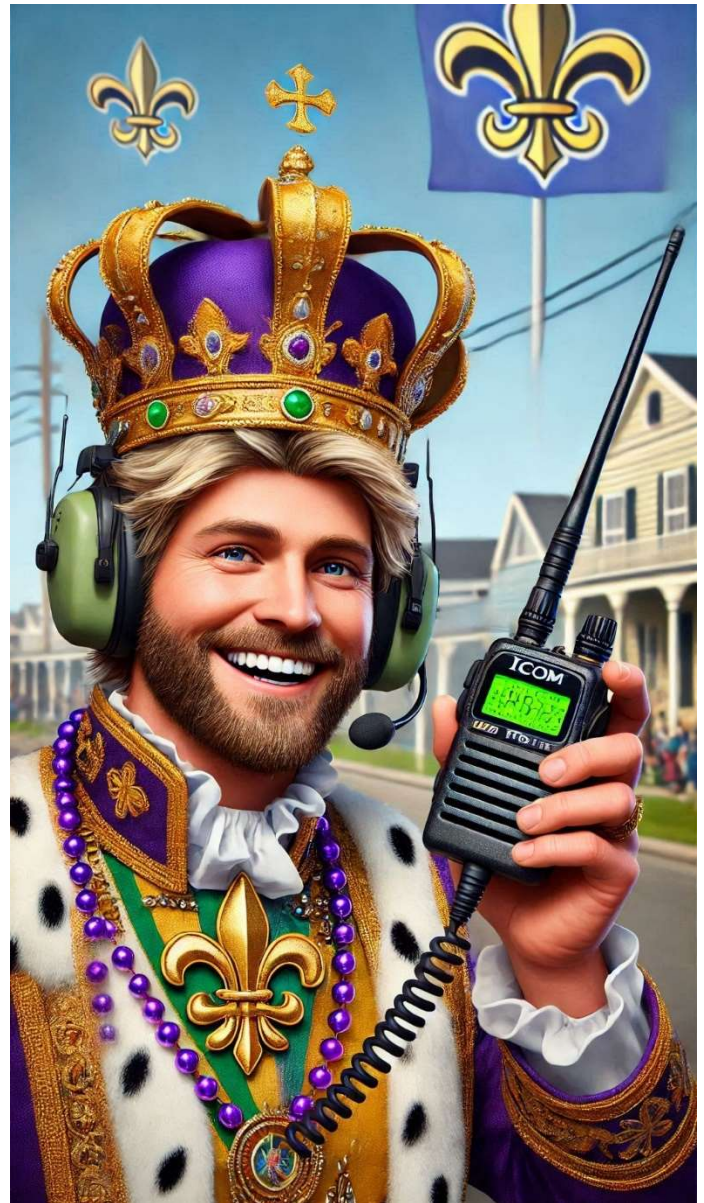


RF News

Welcome again to another issue of the RF News. I heard a rumor that because of the large crowds of potential future amateur radio enthusiast, the theme for the Mystic Crew of Spanish Town Parade will be Ham Radio and instead of the usual beads and trinkets, they are considering throwing handhelds to the revelers!

Not sure if this is quite true, but make sure to check out the next meeting where you will receive a free 2 meter antenna! Yes, **FREE!!** Details are inside the newsletter on page 2.

Also, make sure to check out the *almost free* transmitter in the Tech and Tips section on page 22.





Baton Rouge Amateur Radio Club



Club Meeting
February 25

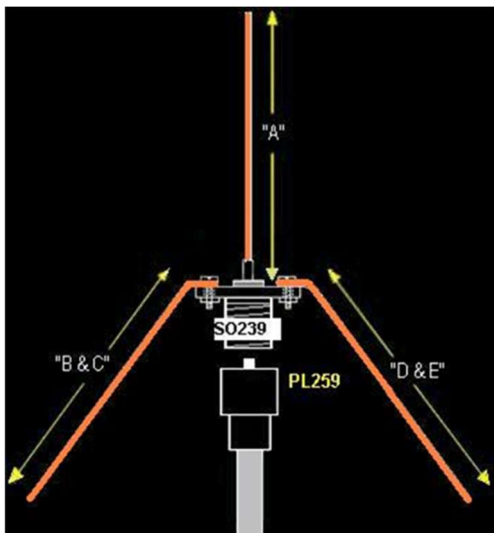
FREE ANTENNA to everyone who attends*

* Hidden legal language: free means free, like in no charge, no hidden fees, \$0.00

Quick and Simple 2 Meter Antenna Build

Joe K5ROP
Jerry AG5AY

Have you ever built an antenna? Well, here's a simple and fun project for you whether you're an old pro or brand-spanking new ham. If you live within the coverage of the repeater but can't quite produce or receive a good signal, this antenna might help. It's known as a "Droopy Groundplane" and can be designed for any band. We'll be building one for 2 meters. Bring your soldering gun or heavy-duty iron, along with small hand tools if you have them. We'll also have some tools available.





Baton Rouge Amateur Radio Club



From the President	6
From the Vice President	7
From the Treasurer	9
Upcoming Club Events	10
Member Profile	11
VE Testing and News	14
STEM Presentation	15
ARES - Amateur Radio Emergency Services	16
USS KIDD	17
Hamfests	18
DX, Special Event, Contesting	19
Swap Shop and Club Items	21
Operating Tech and Tips	22
Other Stuff	25

Frequency	Net
146.79- MHz PL tone 107.2	Region 2 ARES Net Sunday 8:00 PM
146.79- MHz PL tone 107.2	BRARC Public Service Net Sunday 8:30 PM
146.46 MHz 147.47 MHz	Baton Rouge Simplex Net Monday 7:00 pm
28.450 MHz USB	Ten Meter Net Monday 7:30 PM
7.043 MHz CW	Slow CW Net 2nd & 3rd Tuesdays 6:30 pm
442.2+ MHz PL tone 107.2	MissLou Net Wednesday 7:00 pm
146.835- MHz PL tone 114.8	MissLou Net Wednesday 8:00 pm
146.79- MHz PL tone 107.2	Friendship Net Thursday 7:00 PM
444.400+ MHz PL tone 107.2	W5GIX Fusion Repeater

Repeaters & Nets





Baton Rouge Amateur Radio Club

2025 Board Officers

President

K5ROP

Joe Roppolo

Vice-President

AB5TH

Todd Houvinen

Secretary

N5UKZ

Mike Blazek

Treasurer

N4XEG

Jeff Sibley

Board Members:

WA9JBR

Jon Reise

K5HLC

Thornton Cofield

KF5TQN

Dan Lott

AG5AY

Jerry Clouatre

NS5W

Russ London

KI5ZAZ

Jason Mullins

KD5MLD

Mike Nolan



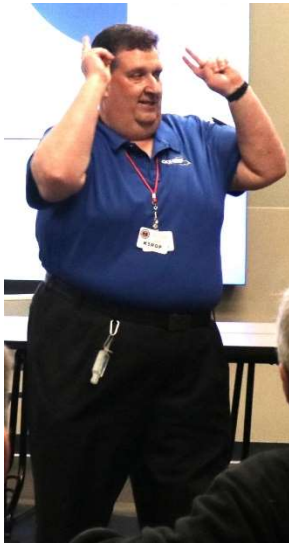
Left to right: Thornton Cofield, Jeff Sibley, Dan Lott, Michael Nolan, Mike Blazek, Russ London, Jason Mullins, Jerry Clouatre, Joe Roppolo, Todd Huovinen. Not present, Jon Reise.



Baton Rouge Amateur Radio Club



From the President



Happy February, everyone!

I hope everyone had a chance to play in the sneaux and kept safe and warm last month.

At our January meeting, Todd Houvinen, AB5TH gave a great presentation on Antennas and was very interactive with the 29 members that attended the meeting. January also marked our 1-year anniversary at St. George Fire Protection and we are grateful to have partnered with them for meetings and even picked up a member or two from St. George. We also created a program/planning committee to bring new and exciting programs and activities to our meetings as well as come up with other events. Please consider presenting something to your fellow members at a future meeting.

We presented Jerry Clouatre, AG5AY with the Red Stick Award for working 10 club members as required by the terms of the award as listed on our BRARC.org webpage under Awards. Please look up this and our other club awards and see if you or someone you know can qualify for any of them!

February is exciting for me as I am honored to work with Jerry, AG5AY to bring BRARC back into doing builds. All the exciting stories from the past are rushing into my mind as we embark on a VHF Ground Plane Antenna. It will be at no cost to you. We hope you can come to the meeting and will enjoy building one!

Thank you for your continued support of all our officers and board members to continue to make your club into something that you will be proud of and invite others to join you.

7 3, Joe K5ROP



Baton Rouge Amateur Radio Club



Vice President

Tidbits from Todd

Hello Everyone,

It is a new year, and I am your new Vice President. I am really looking forward to seeing what 2025 brings for the Baton Rouge Amateur Radio Club. A group of us met for breakfast last week at Frank's Coffeehouse in Baton Rouge and the topic of discussion was program presentations for the upcoming year. Jerry Clouatre (AG5AY) had a list of about 30 program ideas for the year. We are working to implement a lot of these topics this year for program presentations, but I am also wanting to hear from the club membership for program idea as well. We talked about shack lightning protection, batteries, Parks on the Air among other topics. We also talked about having an antenna build project at an upcoming club meeting. A simple J-pole antenna can be constructed using twin-lead wire similar to the television antenna lead in wire that many of us grew up with before the arrival of cable television. A simple quarter wave antenna for 2 meters and 440 Mhz can easily be constructed using an SO-239 coax connector and a wire coat hanger, This project can easily be constructed in less than 30 minutes, and not much soldering is required to build the antenna. These are just a couple of ideas of what we could do for a club build project. I will get in touch with Meg Kling over at our meeting place and make sure that we have permission to hold a club build project that may involve soldering before we actually hold a club build at the St. George Fire Prevention District being that soldering will be involved.

We will have the usual "Eating Meeting" at the Highland Road Observatory on May 27th. We will then begin making plans for another successful Field Day which will be on the last weekend in June. The USS Kidd is still being refurbished, so all the activities involving the USS Kidd will be held at the Observatory. Since the club installed a new off center fed dipole there last



Baton Rouge Amateur Radio Club



summer, I've been hearing that the reception reports from the ham station at the Observatory have been quite good. Let's keep hoping for high sunspot numbers and no Coronal Mass Ejections from the sun such as what happened on Mother's Day weekend last year. The board will also be making plans for the annual club auction in November, as well as the annual BRARC Christmas luncheon in December.

Hamfest season has started. By the time Jerry publishes the February RF News, the annual SELARC Hamfest will already be in the books. Upcoming hamfests include:

Jefferson County/Beaumont ARC Hamfest -Orange, Texas Feb. 21

More Info:

https://www.qsl.net/w/w5nd//index_files/HAMFEST%20INFO/hamfest%20info.htm

Acadiana DX Association Hamfest-Rayne, LA March 21-22

More Info:

<https://www.acadianadx.org/>

Dayton Hamvention-Xenia, Ohio May 16-18

More Info:

<https://hamvention.org/>

Huntsville Hamfest-Huntsville, Alabama August 16-17

More Info:

<https://hamfest.org/>

That's about it from me this month. I hope to see you at the next club meeting.

73,

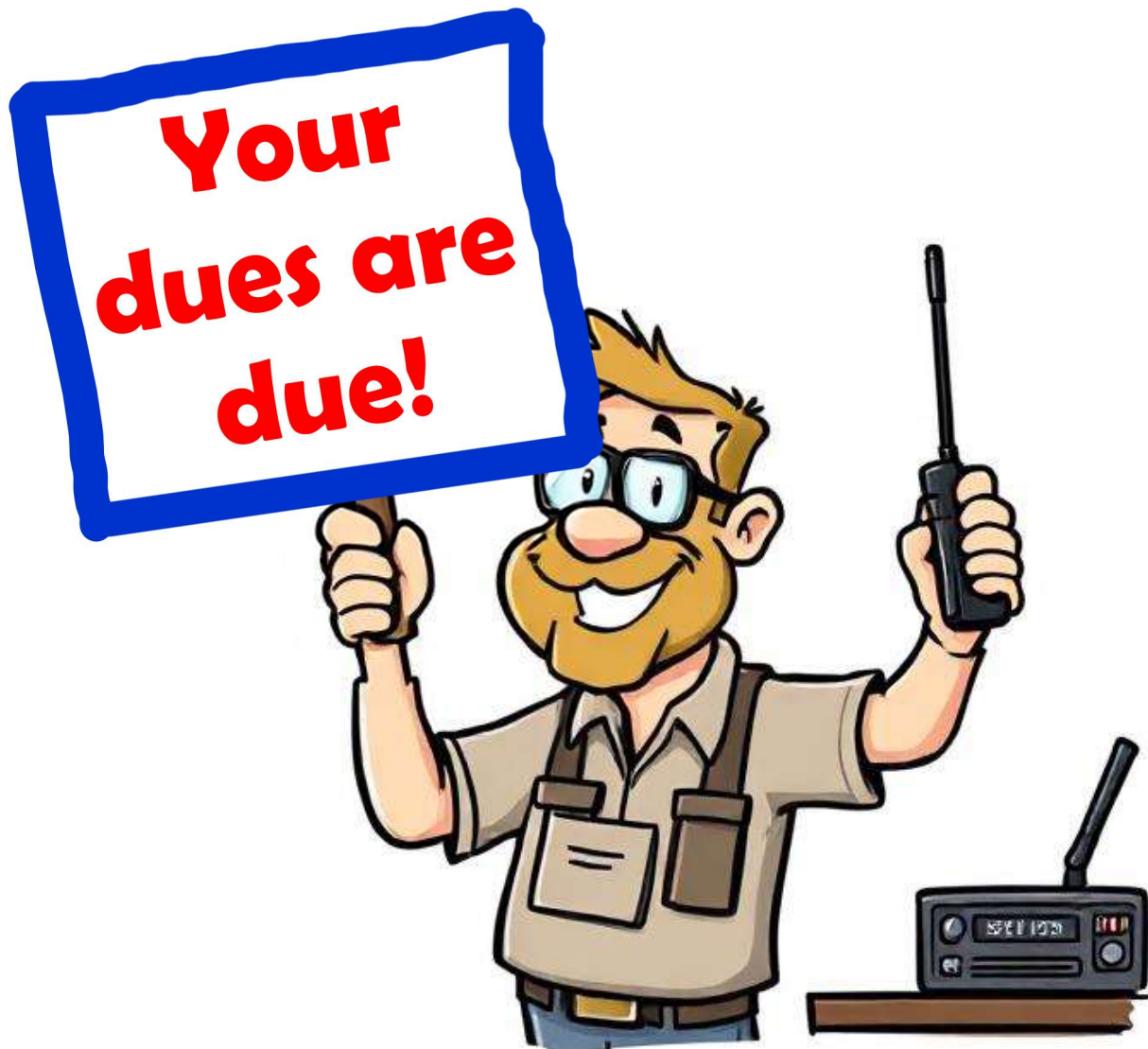
Todd-AB5TH



Baton Rouge Amateur Radio Club



From the Treasurer



You can bring a check or cash to the next club meeting or just mail it to:

**Baton Rouge Amateur Radio Club
PO Box 4004
Baton Rouge, LA 70821**



Baton Rouge Amateur Radio Club

Upcoming Club Events

- February 25 Club Meeting
- March 1 License Exam – 10:00 am East Baton Rouge Main Library, Technology Lab on 2nd floor
- March 4 BRARC Board Meeting
- March 5 Ascension Amateur Radio Club
Prairieville Fire Department Training Center at 14517 LA Highway 73
- March 25 BRARC Monthly Meeting
- April 5-6 LA QSO Party
- June 28-29 Field Day

Do you ever listen to Podcast?

Here's some of my favorites:

- Solder Smoke
- Ham Radio Workbench
- QSO Today

SolderSmoke
podcast



Ham Radio
Workbench

Let us know your favorites so we
can share with everyone!





Baton Rouge Amateur Radio Club



Member Profile

1. WHAT IS YOUR NAME? AND WHAT KIND OF WORK DO YOU DO? IF RETIRED WHAT WAS YOUR WOR WORK?

Vernon Morris AA5O

I am retired after 20 years in the process analyzer field. Pryor to that I worked as an instrument technician and as a part time flight instructor and charter pilot.

2. WHEN DID YOU FIRST BECOME INTERESTED IN AMATEUR RADIO AND WHAT LED TO YOUR INTEREST IN AMATEUR RADIO?

My best friend in high school was a ham. Barry Johnson, K5FLY invited me to come over to his house and see his station and I was hooked!

3. WHAT DO YOU REMBER ABOUT YOUR FIRST RADIO SETUP?

My first station consisted of a Heathkit AR-3 receiver and a homebrew 807 crystal controlled transmitter. I made around 90 contacts during my 8 months as a novice.





Baton Rouge Amateur Radio Club



4. DID YOUR FORMAL EDUCATION PREPARE YOU OR LEAD YOU TO AMATEUR RADIO OR WAS IT JUST THE REVERSE?

No. My formal education was in music {BME, Music Education}. I worked my way through school playing trombone in a commercial orchestra. I still play the trombone as a hobby but no longer professionally. After graduation I spent two years on active duty as a Radioman Second Class on a guided missile destroyer USS Somers DDG-34. The navy was in desperate need of radiomen at the time, and I was able to skip 3 ranks due to having a general class amateur license. After discharge I pursued aviation, attaining my ratings {private, commercial, instrument, multiengine, and flight instructor} courtesy of the GI Bill. I worked as a part time instructor and charter pilot and spent 2 years as the air operations officer and squadron check pilot for the Baton Rouge squadron of the Civil Air Patrol.

5. WHAT DO YOU ENJOY MOST ABOUT AMATEUR RADIO NOW AND WHY?

I enjoy ragchewing, QRP foxhunting, DXing {All DXCC entities confirmed except BS7}, antenna building and experimenting though now limited by being no longer able to climb, kit building and Hamfests.

6. WHAT ARE SOME OF THE MORE EXCITING EVENTS THAT YOU CAN REMEMBER REGARDING YOUR EXPERIENCE WITH AMATEUR RADIO?

My first on the air contact was an amazing experience for a 16 year old novice! I was on cloud 9 for days. Even today the wonder of radio is still a fascinating experience every time I am on the air.

7. WHAT DO YOU THINK AMATEUR RADIO WILL BE LIKE IN 20-30 YEARS?

I know the technology will continue to advance but the wonder of over the air communication will remain .

8. WHAT ADVICE CAN YOU GIVE TO A NEWLY LICENSED AMATEUR TODAY?

Get on the air! Nothing compares to actually making contacts with fellow hams that you would otherwise never meet.



Baton Rouge Amateur Radio Club



9. WHAT CAN THE BATON ROUGE CLUB DO TO ENHANCE YOUR RADIO ENJOYMENT?

Continue the good work that so many of you do

10. IS THERE ANYTHING ELSE YOU WOULD LIKE TO ADD?

Music, Ham Radio and Flying have been the loves of my life. My first experience with amateur radio was 63 years ago, but I still enjoy it and hope to continue operating for several more years.





Baton Rouge Amateur Radio Club



VE Testing and News

License Exams

A license exam session is scheduled for **Saturday, March 1, 2025, 10:00 am – 12 noon** at the East Baton Rouge Main Library, 7711 Goodwood Blvd, Baton Rouge, LA 70806, in the **Technology Lab on the 2nd floor** (Rooms 2A, 2B, Tech Lab). If you want to take an exam for a new license or to upgrade an existing license, please register at [this page](#).

If **upgrading**, bring a copy of your current license. It will be submitted with your application by the Volunteer Examiner Team. If you are taking your first test, you must register with the FCC and get your FRN number (FCC Registration



Number). This will be used on the forms instead of using your Social Security number. You can register for the FRN at [this page](#).

To take the test in person, candidates need to bring the following:

- Photo ID
- Copy of your current FCC license or CSCE (for those upgrading)
- \$15 cash or check made out to ARRL VEC
- Two #2 pencils with erasers and a black ink pen.
- Calculator – Optional. If used, you must demonstrate the memories are blank.



Baton Rouge Amateur Radio Club



STEM Presentation

The Highland Road Park Observatory hosted an educational program for five teenagers on Saturday, January the 25th from 2:30pm to 6:30pm. The staff instructors were Amy Northrop (KJ5EYE) and Christopher Kersey (KE5PQO). They taught the students the basic of radio in a presentation.

After the presentation concluded, the students got to see a radio in action. The club shack at the Observatory was used by John Krupsky (WA5MLF) and Jon Reise WA9JBR) to get the students on the air. All of the participants made contact on FT8 and two made voice contacts.

Amy Northrop (KJ5EYE)



Carson, William, Kade, Amy Northrop (KJ5EYE), Laura, and Roshan



The students receiving a presentation on the basics of radio



An introduction to radio equipment by Jon Reise and John Krupsky



Baton Rouge Amateur Radio Club



Amateur Radio Emergency Services



Your Latest SKYWARN Spotter Class Schedule

Note: Any inclement weather during the day or time of the scheduled class could lead to postponement. We'll let you know if that happens.

Online Classes

Date/Time	Class	Class Registration Link
Wednesday, February 19th 6 - 8PM CST	Basic Course	https://attendee.gotowebinar.com/rt/515955771284791253 <u>8</u>
Friday, March 7th 5:30 - 8PM CST	Advanced Course	https://attendee.gotowebinar.com/rt/240987704387315643 <u>8</u>
Thursday, March 20th 6 - 8PM CST	Basic Course	https://attendee.gotowebinar.com/rt/169591136740005052 <u>2</u>

On-site Classes

Date/Time	Class	County	Location
Thursday, February 13th 4:30PM - 6PM CT	Basic Course	Terrebonne Parish	Terrebonne Parish EOC: 101 Government St, Gray, LA 70359



Baton Rouge Amateur Radio Club



USS KIDD



Blasting continues topside on decks, bulkheads, and equipment. Main deck has been stripped back to the breakwater. The 01 Level has been completely cleaned off to midships. The Bridge, the Flying Bridge, the Mk-37 gun director, and the mast up a point just below the yardarm are all down to bare metal. In the area of hull repairs, cropping & renewing on the cradle touchpoints is underway. Every touchpoint receives a sturdier plate than the original skin thickness, plus added structural reinforcement behind the hull for support.





Baton Rouge Amateur Radio Club



Hamfests

- Orlando HamCation
February 7-9, 2025
- Acadiana DX Association
Hamfest March 21-22
- Dayton Hamvention
May 16-18



3rd Annual Acadiana DX Association



2025 Rayne Hamfest & Swapmeet

Friday March 21st - 3PM to 8PM

Saturday March 22nd - 8 AM to 2PM

Rayne Civic Center 210 Frog Festival Dr. Rayne La.

Just South of Interstate 10 - Exit 87 (follow Hamfest Signs from Interstate)

Crawfish Friday Night At 6 PM

On Pre-Order Basis

Bingo on Saturday 8:30am – 11:30am

www.acadianadx.org

hamfest@acadianadx.org



- Four Days in May – May 15-18
- Huntsville Hamfest August 16-17,
- Ozone Hamfest Slidell – November (pending)





Baton Rouge Amateur Radio Club



DX, Special Event, Contesting



February

- 3-4 Vermont QSO Party
- 3-4 10-10 Winter Contest, SSB
- 2 North American Sprint, CW
- 3 Minnesota QSO Party
- 10-11 CQ WW RTTY WPX Contest
- 12-16 ARRL School Club Roundup
- 17-18 ARRL Inter. DX Contest, CW
- 24-25 South Carolina QSO Party
- 24-25 North American QSO Party, RTTY
- 23-24 North Carolina QSO Party

March

- 1-2 ARRL Int DX Contest, SSB
- 8-9 Oklahoma QSO Party
- 8-9 Idaho QSO Party
- 9-10 Wisconsin QSO Party
- 15-16 Russian DX Contest
- 15-15 Virginia QSO Party
- 29-30 CQ WW WPX Contest, SSB





Baton Rouge Amateur Radio Club



F5NVF will be active as TY5C from **Benin**, 10 January - 2 April 2025.
He will operate on 80 - 10m, CW, FT8.

In West Africa, there is a small state called Benin. Its name means "land of quarrels" in the South African Yoruba language. It stands out among other countries on the continent for its turbulent past. Its territory is washed on the southern side by the waters of the Gulf of Guinea, which opens into the Atlantic Ocean. This geographical position favoured the export of slaves from the African continent back in the day. Infamous names such as Slave Coast and Point of No Return indicate that an active slave trade flourished here.



Benin. Author - Eugene Ward

C5R Team will be active from **Gambia**, 19 April - 2 May 2025.

Gambia is a colorful country in West Africa, which offers exotic vacations, excursions to national parks and reserves, as well as interesting local dishes. This small country, which covers an area of 11,300 square meters, will appeal to connoisseurs of picturesque wildlife, safari lovers and hunters for stunning photos, which turn out simply delightful.



Gambia. Author - Josep Blanch.



Baton Rouge Amateur Radio Club



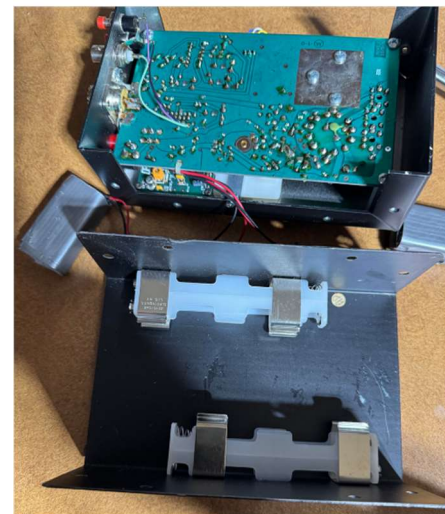
Swap Shop and Club Items

Name Badges, Mugs and Clothing with Club Logo available on the BRARC.org website.

For sale: MFJ-259
original \$75 Contact:
Sonny Buvens
buvens@cox.net



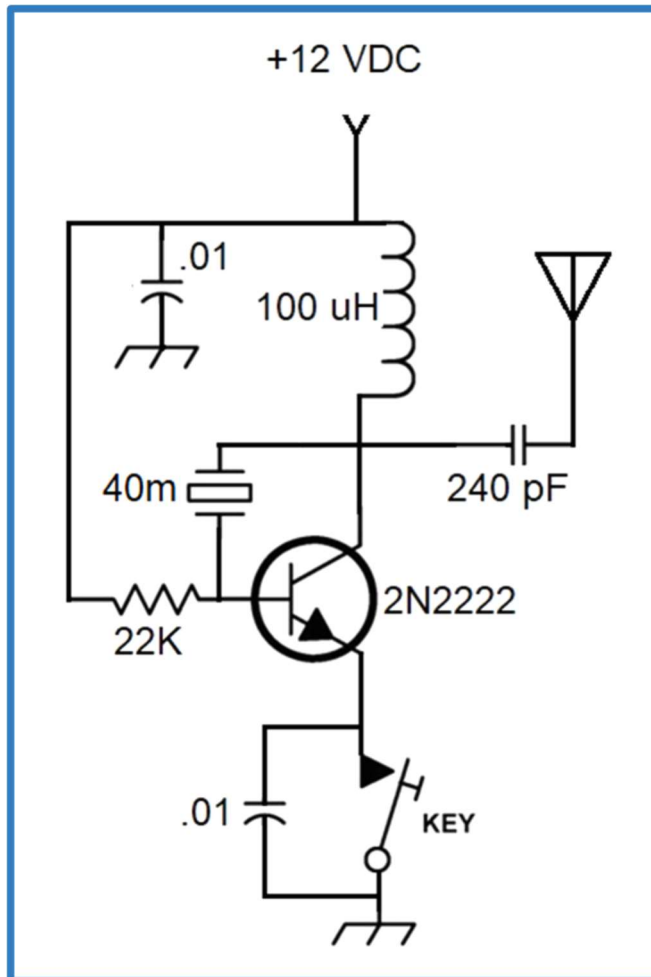
Do you have a ham item to sell? List it here for fast results and include a couple pictures. Try to get it to me before the end of the month for next month's publication.





Operating Tech and Tips

I'd like to offer you guys and gals a challenge – see who can go the farthest with a 1-transistor transmitter. You don't have to build this



particular one, any design you come across for a single transistor. Couldn't be easier. Or quicker – shouldn't take more than a few minutes to throw this together. And who knows, you might start liking these simple QRP CW transmitters. Don't know CW? No problem, just use your keyer to send 'TEST DE *your callsign*' and the Reverse Beacon Network will pick you up. Send it a few times to be sure. See how far you can reach and let us know at the next meeting. Construction is easy, anything works – dead bug, manhattan

style, perfboard, breadboard.

Don't forget to use a low-pass filter to keep those harmonics at bay. If the RBN doesn't pick up your signal, shoot me an email and we'll schedule a QSO. **IMPORTANT!!! Be sure to isolate your shack transceiver while transmitting!!** I don't want to be responsible for a little \$2 transmitter messing up a \$1000 transceiver!



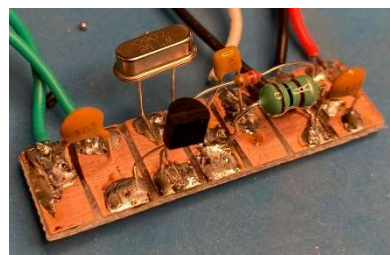
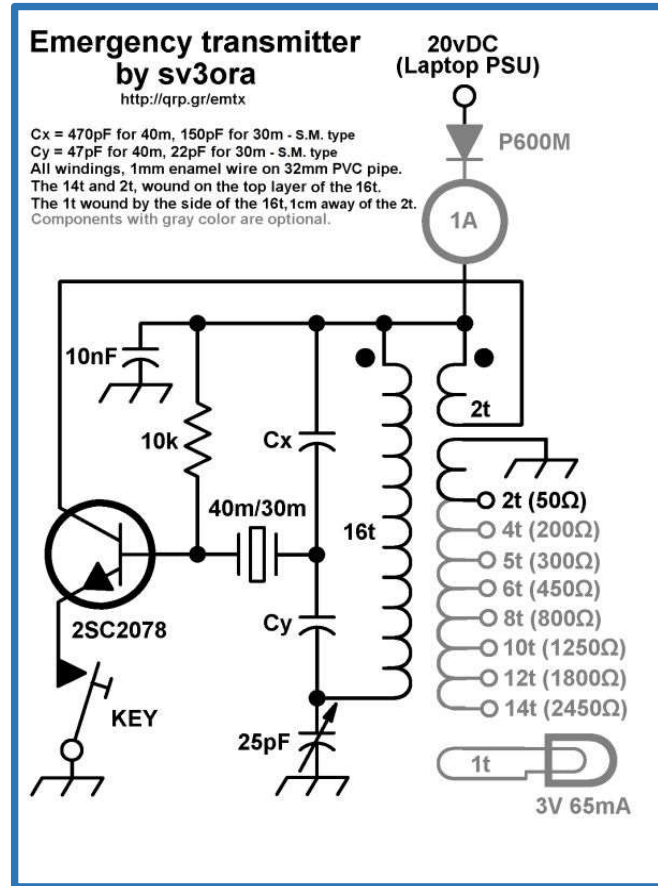
Baton Rouge Amateur Radio Club



Yea, they'll chirp and drift and not be as stable as your \$1500 Kenwood or Icom, but that's not the goal. It's just to build something with your own hands, melt some solder, and make your XYL ask, "What in blue blazin' are you doing now??"

Do a **Google** search for 'Michigan Mighty Mite' for some ideas.

Here's a sample multi-band one from Kostas, SV3ORA of Greece, <http://qrp.gr/emtx/>. A little fancier, but still one transistor.



Here's mine – my max distance is 605 miles! Not bad for 1 transistor and \$2 in parts.

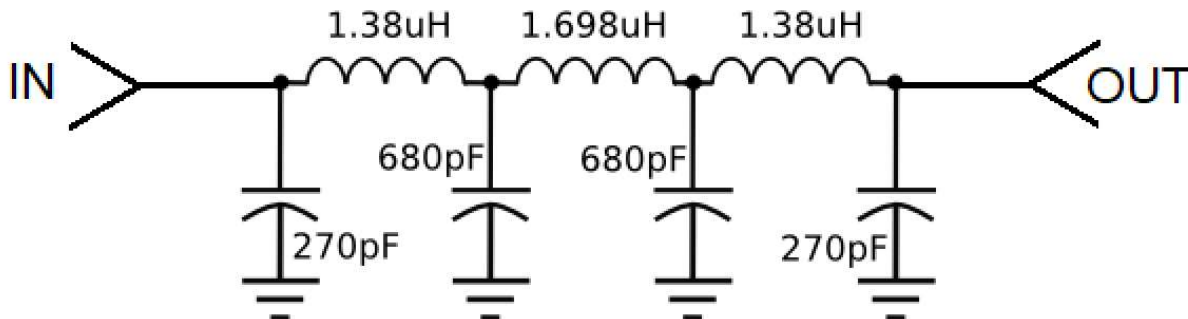


Baton Rouge Amateur Radio Club



Finally, here's another simple example, this time a low pass filter for the output you're transmitting. More information about this one and others can be found at:

https://makerf.com/posts/mighty_simple_shortwave_transmitter

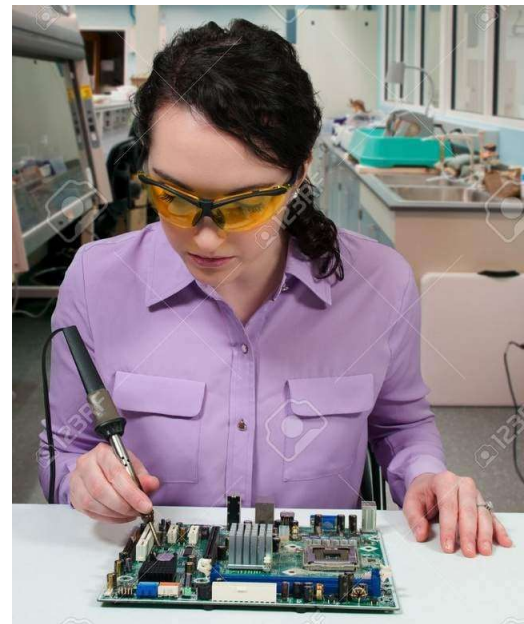


Enjoy building something, especially if you've never used a soldering iron before. If you need any help, let me know. We could also make this a club project.

Good DX!

73 Jerry AG5AY

P.S. Those are actual models for electronics ads. Can you spot the problem?





Baton Rouge Amateur Radio Club



Other Stuff

- Be sure to check out **BRARC.org** for the latest news
- Don't forget to follow us on our **Facebook** page

The Baton Rouge Amateur Radio Club-BRARC

Public group · 70 members



+ Invite
Share
Joined

Hungry?

For good food and friendship? Your guests are always welcome.

Wednesdays @ 06:30
 James Grill, 205 Florida Avenue SE
 in Denham Springs

Fridays @ 08:00
 Franks @ Old Cortana Mall on Airline

Saturdays @ 06:15
 Yeager's Down-Home Restaurant
 on Bass Pro Blvd. Denham Springs

